

# SECTION 5 PARTS LIST

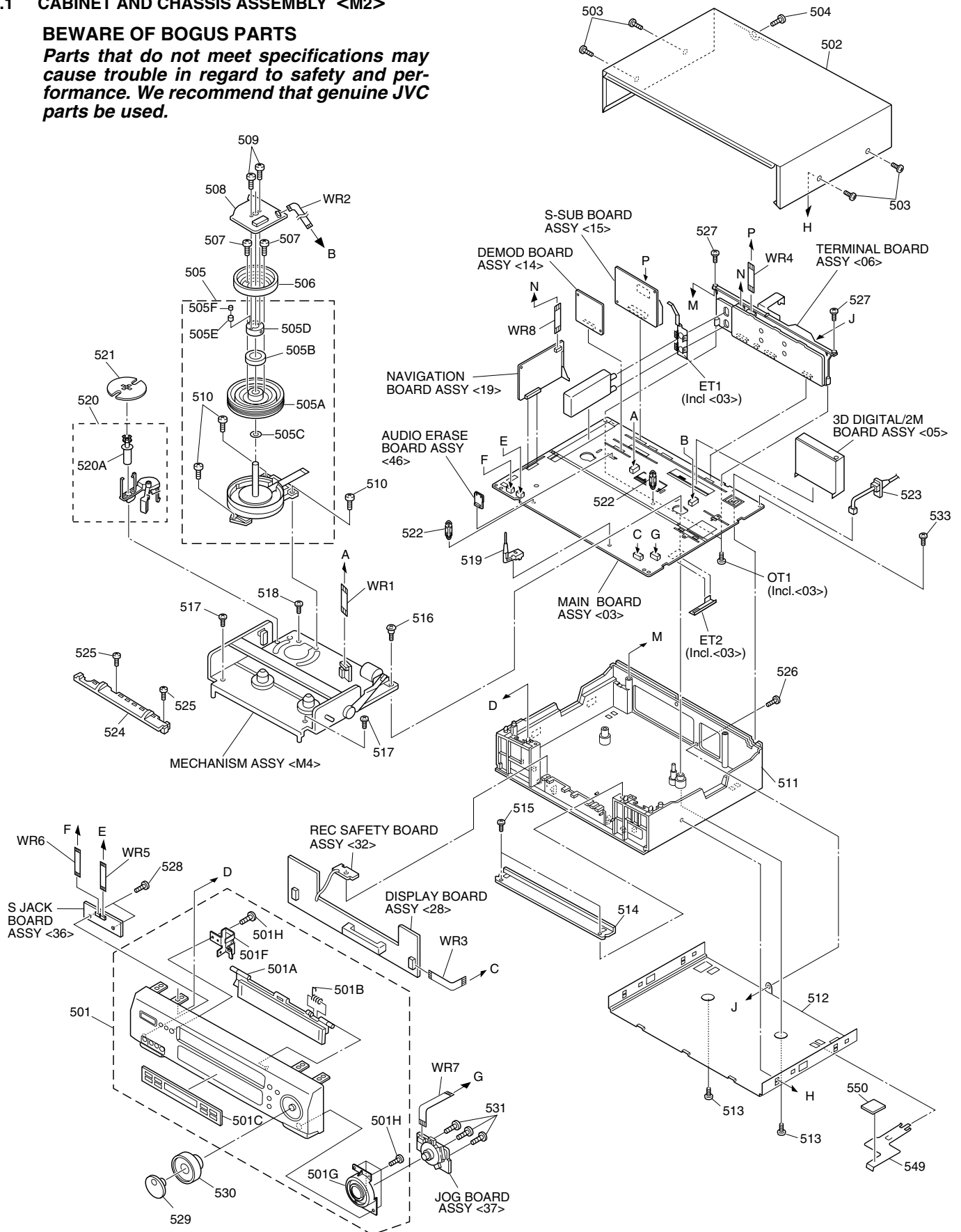
## SAFETY PRECAUTION

Parts identified by the  $\triangle$  symbol are critical for safety. Replace only with specified part numbers.

### 5.1 CABINET AND CHASSIS ASSEMBLY <M2>

#### BEWARE OF BOGUS PARTS

*Parts that do not meet specifications may cause trouble in regard to safety and performance. We recommend that genuine JVC parts be used.*



# ▲ REF No. PART No. PART NAME, DESCRIPTION  
 \*\*\*\*\*

**CABINET AND CHASSIS ASSEMBLY <M2>**

▲	501	LP10088-018D	FRONT PANEL ASSY,S8700EK
▲		LP10088-019D	FRONT PANEL ASSY,S8700EU
	501A	LP20716-007A	CASSETTE DOOR
	501B	PQ46448	TORSION SPRING
	501C	LP20250-013C	DISPLAY WINDOW
	501F	LP40159-001B	BRACKET(DAMPER)
	501G	LP20613-004A	ORNAMENT
	501H	SDSF2608Z	SCREW,X5
▲	502	PQ11922-34	TOP COVER
	503	QYTDSF3010R	SCREW,X4 TOP COVER(SIDE)
	504	QYTDSF3010M	SCREW,TOP COVER(REAR)
	505	LP20617-016A	DRUM SUB ASSY
	505A	LP20030-023A	UPPER DRUM ASSY
	505B	LP40543-001A	CAP
	505C	PDM4444-19-2	WASHER
	505D	LP40572-001A	COLLAR ASSY
	505E	LP40323-001A	CONTACT
	505F	LP30004-014A	COMPRESSION SPRING
	506	PDZ0179-1-4	ROTOR ASSY
	507	QYSPSP3006Z	SCREW,X2
▲	508	QAR0119-001	STATOR ASSY
	509	QYSPSPH2606Z	SCREW,X2
	510	QYTDST2610Z	SCREW,X3 DRUM
▲	511	LP10140-006F	BOTTOM CHASSIS
▲	512	PQ11921-1-4	BOTTOM COVER
	513	QYTDSF3010Z	SCREW,X2
	514	LP30312-001B	BRACKET(CHASSIS)
	515	QYTDSF3010Z	SCREW,X2
	516	LP40700-001A	SPECIAL SCREW,MECHA
	517	QYTDSF3010Z	SCREW,X2 MECHA
	518	QYTDSF4012Z	SCREW,MECHA
	519	LP40407-001A	KNOB ASSY
	520	LP40370-001E	ROLLER ARM ASSY
	520A	PDM4311A-1	ROLLER ASSY
	521	PQ45160	INERTIA PLATE
	522	LP40226-001A	PC SUPPORT,X2
▲	523	QMP4A10-170	POWER CORD,S8700EU
▲		QMP51K0-170-K	POWER CORD,S8700EK
	524	LP30247-001C	FRONT BRACKET
	525	QYTDST2606Z	SCREW,X2
	526	QYTDSF3010M	SCREW,TERMINAL
	527	QYTPSFG3010Z	SCREW,X2 TERMINAL
	528	QYTDSF2608Z	SCREW,X2 S JACK
	529	LP30694-001A	KNOB(JOG)
	530	LP30695-001A	KNOB(SHUTTLE)
	531	QYTDSF2608Z	SCREW,X3 JOG
	533	QYTDSF3010Z	SCREW,MAIN
	549	LP40659-001A	EARTH PLATE(2)
	550	LP30002-092A	SPACER
	WR1	QUQ112-0720CG	FFC WIRE,A/C HEAD CN2001
	WR2	QUQ212-0518CG	FFC WIRE,DRUM CN3001
	WR3	QUQ112-1414CG	FFC WIRE,DISPLAY CN3011
	WR4	QUQ112-1407CG	FFC WIRE,TERMINAL CN512
	WR5	QUQ212-0516CG	FFC WIRE,JACK CN902
	WR6	QUQ212-0416CG	FFC WIRE,S(FSA) CN901
	WR7	QUQ112-0616CG	FFC WIRE,JOG(FSA) CN3012
	WR8	QUQ112-0826CG	FFC WIRE,NAVIGATION CN912

# ▲ REF No. PART No. PART NAME, DESCRIPTION  
 \*\*\*\*\*

## 5.2 ELECTRICAL PARTS LIST

#	△ REF No.	PART No.	PART NAME, DESCRIPTION
*****			
<b>DISPLAY BOARD ASSEMBLY &lt;28&gt;</b>			
PW1	LPA10056-10A1		DISPLAY BOARD ASSY
IC7001	M35500BGP		IC
	or M35500BFP		IC
	or M35500AGP		IC
IC7002	PNA4652M00XB		IR DETECT UNIT
	or GP1U281X		IR DETECT UNIT
D7002	RD9.1ES/B2/-T2		ZENER DIODE
	or MTZJ9.1B		ZENER DIODE
	or UZ9.1BSB		ZENER DIODE
D7004	1SS133		DIODE
D7005	1SS133		DIODE
D7006	1SS133		DIODE
D7009	SLR-342MC3F		LE DIODE
D7010	SLR-342VC3F		LE DIODE
D7011	SLR-342MC3F		LE DIODE
R7001	QRE141J-471Y		RESISTOR 470Ω,1/4W
R7002	QRE141J-471Y		RESISTOR 470Ω,1/4W
R7003	QRE141J-471Y		RESISTOR 470Ω,1/4W
R7004	QRE141J-471Y		RESISTOR 470Ω,1/4W
R7005	QRE141J-103Y		RESISTOR 10kΩ,1/4W
R7006	QRE141J-103Y		RESISTOR 10kΩ,1/4W
R7007	QRE141J-103Y		RESISTOR 10kΩ,1/4W
R7008	QRE141J-103Y		RESISTOR 10kΩ,1/4W
R7013	QRE141J-103Y		RESISTOR 10kΩ,1/4W
R7020	QRE141J-103Y		RESISTOR 10kΩ,1/4W
R7021	QRE141J-122Y		RESISTOR 1.2kΩ,1/4W
R7022	QRE141J-182Y		RESISTOR 1.8kΩ,1/4W
R7023	QRE141J-222Y		RESISTOR 2.2kΩ,1/4W
R7024	QRE141J-272Y		RESISTOR 2.7kΩ,1/4W
R7025	QRE141J-472Y		RESISTOR 4.7kΩ,1/4W
R7026	QRE141J-682Y		RESISTOR 6.8kΩ,1/4W
R7027	QRE141J-153Y		RESISTOR 15kΩ,1/4W
R7028	QRE141J-393Y		RESISTOR 39kΩ,1/4W
R7030	QRE141J-103Y		RESISTOR 10kΩ,1/4W
R7031	QRE141J-122Y		RESISTOR 1.2kΩ,1/4W
R7032	QRE141J-182Y		RESISTOR 1.8kΩ,1/4W
R7033	QRE141J-222Y		RESISTOR 2.2kΩ,1/4W
R7034	QRE141J-153Y		RESISTOR 15kΩ,1/4W
R7037	QRE141J-153Y		RESISTOR 15kΩ,1/4W
R7038	QRE141J-393Y		RESISTOR 39kΩ,1/4W
R7040	QRE141J-331Y		RESISTOR 330Ω,1/4W
R7041	QRE141J-331Y		RESISTOR 330Ω,1/4W
R7042	QRE141J-331Y		RESISTOR 330Ω,1/4W
C7001	QCFB1HZ-104		CAPACITOR 0.1μF,50V
C7002	QETN1HM-106		E CAPACITOR 10μF,50V
C7007	QETN1HM-476		E CAPACITOR 47μF,50V
C7009	QCSB1HJ-150		CAPACITOR 15pF,50V
C7010	QCFB1HZ-104		CAPACITOR 0.1μF,50V
C7011	QETN1AM-227		E CAPACITOR 220μF,10V
C7019	QDVB1EZ-223Y		CAPACITOR 0.022μF,25V
S7001	QSW0456-002Z		TACT SWITCH,STAND BY
S7002	QSW0456-002Z		TACT SWITCH,CH+
S7003	QSW0456-002Z		TACT SWITCH,CH-
S7004	QSW0456-002Z		TACT SWITCH,REC
S7005	QSW0456-002Z		TACT SWITCH,PAUSE
S7006	QSW0456-002Z		TACT SWITCH,PLAY
S7007	QSW0456-002Z		TACT SWITCH,STOP/EJECT

#	△ REF No.	PART No.	PART NAME, DESCRIPTION
S7010	QSW0456-002Z		TACT SWITCH,D.TBC/NR
S7011	QSW0456-002Z		TACT SWITCH,TIMER
S7012	QSW0456-002Z		TACT SWITCH,SVHS ET
S7013	QSW0456-002Z		TACT SWITCH,SAT.CTL
S7014	QSW0456-002Z		TACT SWITCH,SP/LP
S7015	QSW0456-002Z		TACT SWITCH,SYN.EDIT
S7016	QSW0456-002Z		TACT SWITCH,INSERT
S7017	QSW0456-002Z		TACT SWITCH,A.DUB
DI7001	QLF0032-002		FL TUBE
HD1	LP30428-001A		FDP HOLDER(L),DI7001
HD2	LP30429-001A		FDP HOLDER(R),DI7001
HD3	PQM30038-2-2		LED HOLDER,D7009
HD4	PQM30038-1-2		LED HOLDER,D7010
HD5	PQM30038-2-2		LED HOLDER,D7011
CN7001	QGF1207C1-14		FPC CONNECTOR,(1-14)MAIN

\*\*\*\*\*

### REC SAFETY BOARD ASSEMBLY <32>

PW2	LPA10056-01A2		REC SAFETY BOARD ASSY
S7041	QSW0602-004		PUSH SWITCH
FW7001	QUM032-07A4A4		PARA RIBON WIRE

\*\*\*\*\*

### JACK BOARD ASSEMBLY <36>

PW4	LPA10056-10A4		JACK BOARD ASSY
C7192	QCBB1HJ-681		CAPACITOR 680pF,50V
C7194	QCBB1HJ-681		CAPACITOR 680pF,50V
L7191	QRE141J-101Y		RESISTOR 100Ω,1/4W
L7192	QRE141J-101Y		RESISTOR 100Ω,1/4W
J7191	PEMC1009-04		PIN JACK
J7192	PEMC1010-03		PIN JACK(SW)
J7193	PEMC1010-02		PIN JACK(SW)
J7194	QND0084-001		S JACK
CN7191	QGF1207F1-05		FPC CONNECTOR,(3-7)
CN7192	QGF1207F1-04		FPC CONNECTOR,(1-4)MAIN

\*\*\*\*\*

### JOG BOARD ASSEMBLY <37>

PW3	LPA10056-10A3		JOG BOARD ASSY
UN7091	PEME0786-02		JOG SHUTTLE ASSY
CN7005	QGF1207F1-06		FPC CONNECTOR,(1-6)MAIN